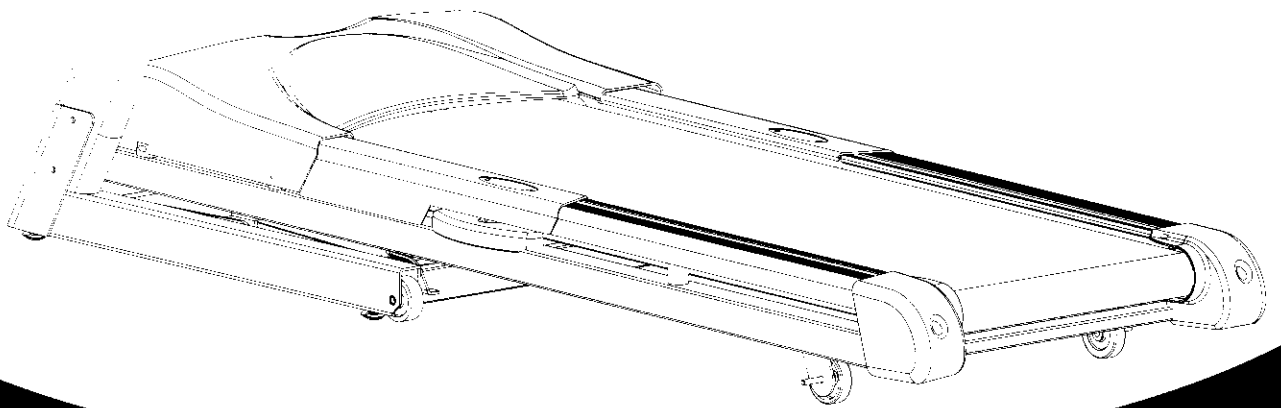
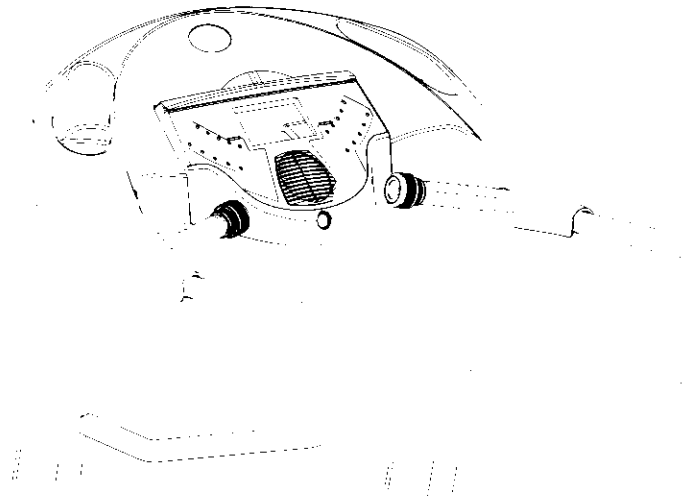




**Ti22 Ti32 Ti52**



IMPORTANT SAFETY  
INSTRUCTIONS SAVE  
THESE INSTRUCTIONS

# Assembly Guide

# U N P A C K I N G

Unpack your treadmill and the contents inside the box. Do not attempt to move the treadmill until it is completely assembled. Leave the treadmill in the bottom portion of the treadmill box to assemble. Unpack your treadmill where you will be using it. Place your treadmill on a level flat surface. It is recommended that you place a protective covering on your floor. Your treadmill will arrive almost completely assembled. You will only need to attach the following items. Verify that the following parts and tools are included:

**Note:** It is recommended that you apply grease to the threads of each bolt as you assemble your Treadmill, to prevent loosening and noise. Also, during each assembly step, ensure that ALL nuts and bolts are in place and partially threaded in before completely tightening any ONE bolt.



<A> M8 X 57mm bolt  
quantity: 4



<B> M8x16mm bolt  
quantity: 6



<C> M8 Nylon Nut  
quantity: 4



<D> φ 8 curling washer  
quantity: 4



<E> φ 8 Spring Washer  
quantity: 4



<F> ST4 X 12mm bolt  
quantity: 4



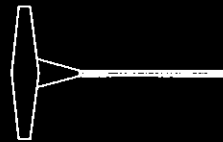
<G> M8 X 135mm bolt  
quantity: 2



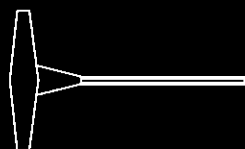
<H> φ 8 x φ 16 Washer  
quantity: 4



<Z12> L Wrench  
quantity: 1



<Z08> 5mm T Wrench  
quantity: 1



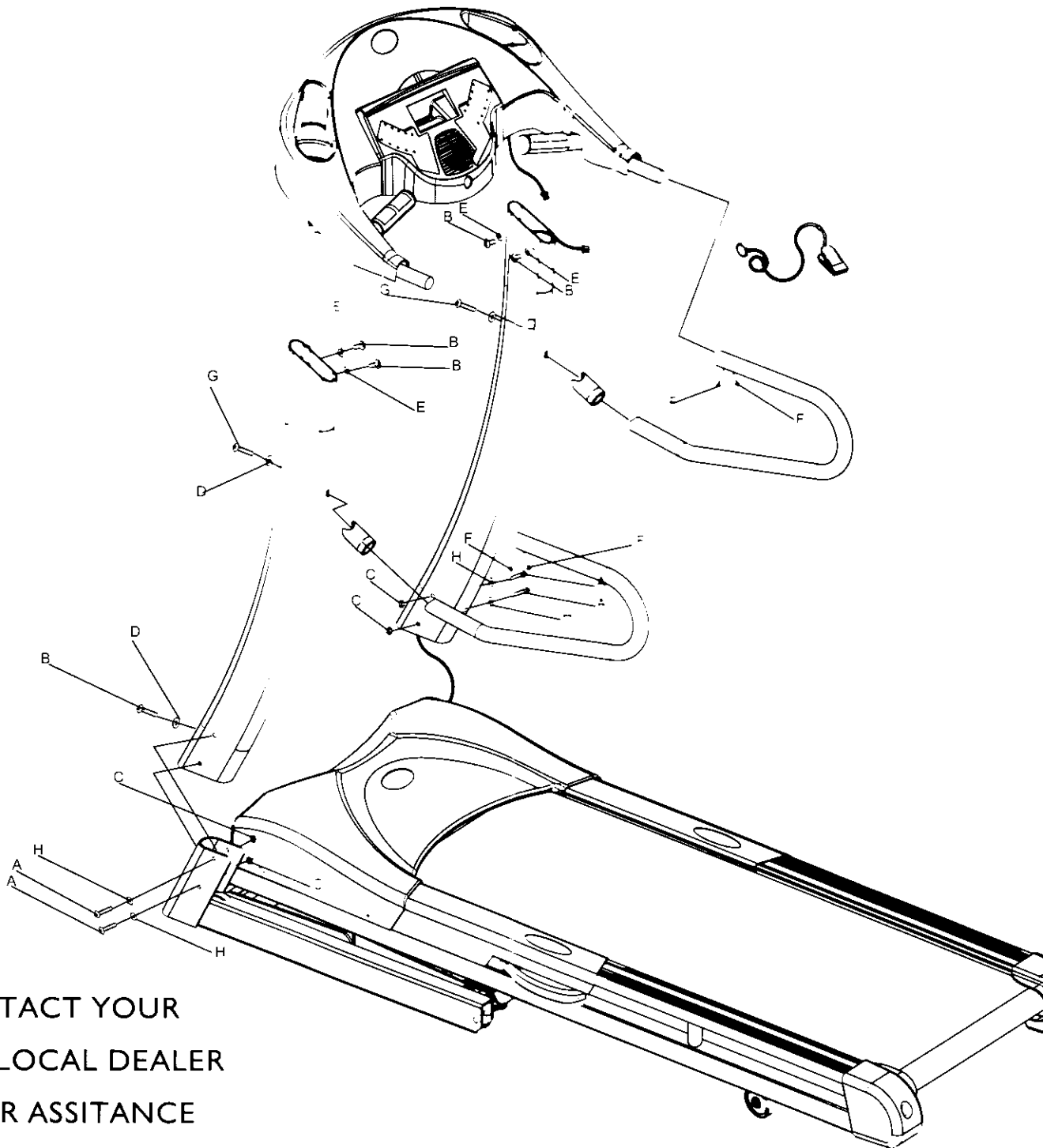
<Z16> 6mm T Wrench  
quantity: 1



<Z13> L Multi-wrench  
quantity: 1



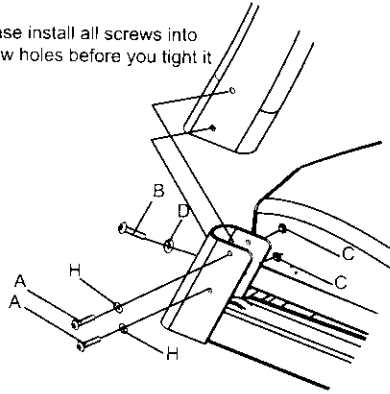
# T R E A D M I L L



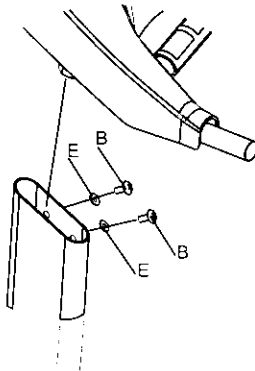
PLEASE CONTACT YOUR  
COUNTRY'S LOCAL DEALER  
FOR FURTHER ASSISTANCE

# STEP 1

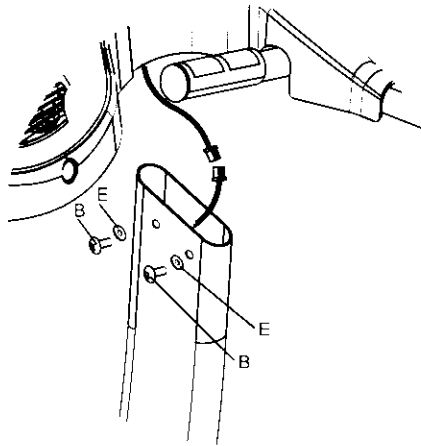
Please install all screws into screw holes before you tight it



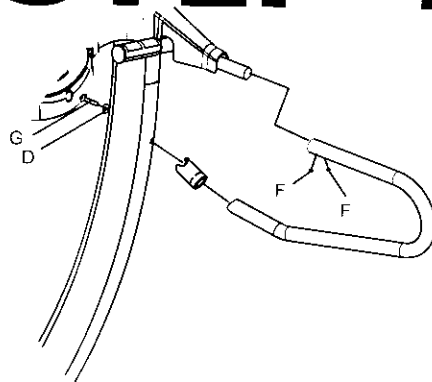
# STEP 2



# STEP 3



# STEP 4



## COMMON PRODUCT QUESTIONS

Are the sounds my treadmill makes normal?

All treadmills make a certain type of humming noise due to the belt riding over the rollers, especially new treadmills. This noise will diminish over time, although may not totally go away. Over time, the belt will stretch causing the belt to ride smoother over the rollers.

### Why is the treadmill I had delivered louder than the one at the store?

All fitness products seem quieter in a large store showroom because there is generally more background noise than in your home. Also, there will be less reverberation on a carpeted concrete floor than on a wood or tile floor. Sometimes a heavy rubber mat will help reduce reverberation through the floor. If a fitness product is placed close to a wall, there will be more reflected noise.

### When should I be worried about a noise?

As long as the sounds your treadmill makes are no louder than a normal conversational tone of voice, it is considered normal noise. If your treadmill is louder than this, you may want to call your service technician. Sometimes an initial diagnosis can be made over the phone.

## MAINTENANCE

### What kind of routine maintenance is required?

We use sealed bearings throughout our treadmills, so lubrication is not needed. The most important maintenance step is to simply wipe your perspiration off the treadmill after each use.

### How do I clean my Horizon Fitness Treadmill?

Clean with soap and water cleaners only. Never use solvents on plastic parts.

### Tensioning the running belt

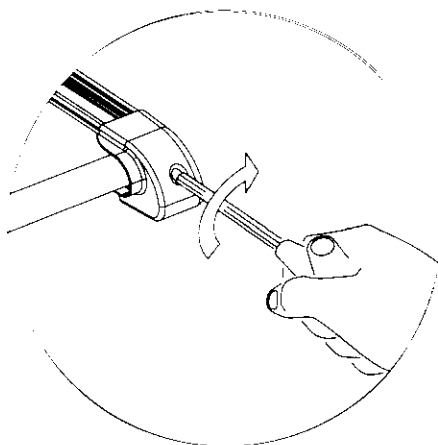
If you can feel a slipping sensation when running on the treadmill, the running belt must be tightened. In most cases, the belt has stretched from use, causing the belt to slip. This is a normal and common adjustment. To eliminate this slipping, tension both the rear roller bolts with the appropriate sized Allen wrench (Alpha - 8mm, Paragon II/Quantum II/Omega - 6mm), turning it 1/4 TURN as shown below. Try the treadmill again to check for slipping. Repeat if necessary, but NEVER TURN the roller bolts more than 1/4 turn at a time. The belt tension is set properly when the running belt is 1/4 of an inch from the deck.

### If the belt is too far to the left side:

1. Turn the left roller bolt 1/4 turn clockwise (tighten).
2. Turn the right roller bolt 1/4 turn counterclockwise (loosen).

### If the belt is too far to the right side:

1. Turn the right roller bolt 1/4 turn clockwise (tighten).
2. Turn the left roller bolt 1/4 turn counterclockwise (loosen).



### Centering the belt

If the running belt is too far to the right side, use the supplied Allen wrench to turn the right tension bolt clockwise 1/4 turn at a time until the belt remains centered during use.

## LIMITED HOME USE WARRANTY

### FRAME • LIFETIME

Horizon Fitness warrants the frame against defects in workmanship and materials for the lifetime of the original owner.

### ELECTRONICS & PARTS

Horizon Fitness warrants the electronic components and all original parts for a period from the date of original purchase, so long as the device remains in the possession of the original owner.

### LABOR

Horizon Fitness shall cover the labor cost for the repair of the device for a period from the date of the original purchase, so long as the device remains in the possession of the original owner.

### EXCLUSIONS AND LIMITATIONS

This warranty applies only to the original owner and is not transferable. The warranty is expressly limited to the repair or replacement of a defective frame, electronic component, or defective part that is the sole result of the warranty.

This warranty does not cover normal wear and tear, improper assembly or maintenance, or installation of parts or accessories not originally intended or designed to be used with the treadmill as sold.

This warranty does not extend to damage or failure due to accident, abuse, misuse, or improper use of paint or plastic, or neglect.

Horizon Fitness will not be responsible for incidental or consequential damages. All warranty returns must be pre-authorized by Horizon Fitness.

Horizon Fitness's obligation under this warranty is limited to the repair or replacement, at Horizon Fitness' option, the defective part or component. Service centers. An Horizon Fitness authorized service center must receive all products for which a warranty claim is made.

Warranty replacement products must be received with all required accessories. Shipping charges prepaid, accompanied by sufficient proof of purchase. Parts and electronic components returned to Horizon Fitness or its authorized service centers.

Warranty replacement parts and electronic components supplied as warranty replacement parts are subject to the following warranty terms.

Please consult your local dealer for more warranty details.

